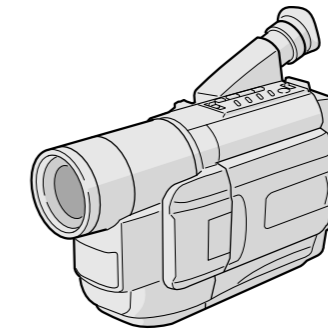


# JVC

## SERVICE MANUAL

### COMPACT VHS CAMCORDER

# GR-FXM66ED/SXM76ED /SXM86ED



**S VHS G** VHS  
PAL  
625  
*Super VHS*  
*Super VHS ET*

Regarding service information other than these sections, refer to the GR-FXM37EG, SXM607EG service manual (No. 86589). Also, be sure to note important safety precautions provided in the service manual.

### SPECIFICATIONS

Camcorder	
<b>General</b>	
Format	: S-VHS (GR-SXM86ED/SXM76ED only)/VHS PAL standard
Power source	: DC 11 V $\text{---}$ (Using AC Adapter) DC 6 V $\text{---}$ (Using battery pack)
Power consumption	
Viewfinder on	: 4.0 W
LCD monitor on	: 4.5 W
Video light**	: 3.0 W
** GR-SXM86ED/SXM76ED only.	
Signal system	: PAL-type
Video recording system	
Luminance	: FM recording
Colour	: Converted sub-carrier direct recording Conforms to VHS standard
Cassette	: <b>S VHS G</b> / <b>VHS G</b> cassette
Tape speed	
SP	: 23.39 mm/sec.
LP	: 11.70 mm/sec.
Recording time (max.)	
SP	: 60 minutes
LP	: 120 minutes (with EC-60 cassette)
Operating temperature	: 0°C to 40°C
Operating humidity	: 35% to 80%
Storage temperature	: -20°C to 50°C
Weight	: Approx. 910 g (GR-SXM86ED) Approx. 900 g (GR-SXM76ED/ FXM66ED)
Dimensions (W x H x D)	: 200 mm x 112 mm x 118 mm
Pickup	: 1/4" format CCD
Lens	: F1.6, f = 3.9 mm to 62.4 mm, 16:1 power zoom lens with auto iris and macro control, filter diameter 40.5 mm
Viewfinder	: Electronic viewfinder with 0.5" black/white CRT
White balance adjustment	: Auto/Manual adjustment
LCD monitor	: 3" diagonally measured, LCD panel/TFT active matrix system (GR-SXM86ED) : 2.5" diagonally measured, LCD panel/TFT active matrix system (GR-SXM76ED/FXM66ED)
Speaker	: Monaural
Connectors	
JLIP/EDIT	: $\phi$ 3.5 mm, 4-pole, mini-head jack (compatible with RC-5325 plug)
Video	: 1 V (p-p), 75 $\Omega$ unbalanced, analogue output (via Video output connector)
Audio	: 300 mV (rms), 1 k $\Omega$ analogue output (via Audio output connector)
S-Video (GR-SXM86ED/SXM76ED only)	: Y : 1 V (p-p), 75 $\Omega$ , analogue output C : 0.29 V (p-p), 75 $\Omega$
<b>AC Adapter AP-V10ED</b>	
Power requirement	: AC 110 V to 240 V $\sim$ , 50 Hz/60 Hz
Output	: DC 11 V $\text{---}$ , 1 A
Dimensions (W x H x D)	: 59 mm x 31 mm x 84 mm
Weight	: Approx. 140 g (not including Power Cord)
<b>Optional Accessories</b>	
• Battery Packs BN-V12U, BN-V20U, BN-V400U • Compact S-VHS ( <b>S VHS G</b> ) Cassettes SE-C45/30 • Compact VHS ( <b>VHS G</b> ) Cassettes EC-60/45/30 • Remote Control Unit RM-V700U • Active Carrying Bag CB-V7U	
Some accessories are not available in some areas. Please consult your nearest JVC dealer for details on accessories and their availability.	
Specifications shown are for SP mode unless otherwise indicated. E & O.E. Design and specifications subject to change without notice.	

# JVC

VICTOR COMPANY OF JAPAN, LIMITED  
VIDEO DIVISION

S40894

## TABLE OF CONTENTS

DIFFERENT TABLE .....	1 to 3
<b>5. PARTS LIST</b>	
5.1 PACKING AND ACCESSORY ASSEMBLY <M1> .....	5-1
5.2 ELECTRICAL PARTS LIST	
MAIN BOARD ASSEMBLY <01> .....	5-3

The following table indicate main different points between models GR-FXM37EG, FXM66ED, SXM607EG, SXM86ED and GR-SXM76ED.

ITEM \ MODEL	GR-FXM37EG	GR-FXM66ED	GR-SXM607EG	GR-SXM86ED	GR-SXM76ED
AC ADAPTER	AP-V10EG	AP-V10ED	AP-V10EG	AP-V10ED	AP-V10ED
BATTERY PACK	BN-V11U	BN-V11U	BN-V20BU	BN-V11U	BN-V11U
BODY COLOR	Mold Black	Silver	Silver	Silver	Silver
CASSETTE ADAPTER	Optional	Provided	Optional	Provided	Provided
CONNECTOR, CABLE ADAPTER/ADAPTER PLUG	Provided	Optional	Provided	Optional	Optional
DC LIGHT	Not used	Not used	Used	Used	Used
LCD MONITOR	2.5"	2.5"	3"	3"	2.5"
NIGHT SCOPE	Not used	Used	Used	Used	Used
S CABLE, S-VIDEO CABLE	Optional	Optional	Provided	Provided	Provided
S-VHS ON/OFF	Not used	Not used	Used	Used	Used
ZOOM	400X	600X	400X	600X	600X

The following table indicate different parts number between models GR-FXM37EG, FXM66ED, SXM607EG, SXM86ED and GR-SXM76ED.

**PACKING AND ACCESSORY ASSEMBLY <M1> Note: As for IB (INSTRUCTIONS), refer to sec.5.**

REF. NO.	ITEM \ MODEL	GR-FXM37EG	GR-FXM66ED	GR-SXM607EG	GR-SXM86ED	GR-SXM76ED
1	PACKING CASE	LY32179-002A	LY32054-038A	LY32179-004A	LY32054-032A	LY32054-040A
7	WARRANTY CARD	BT-54013-1	BT-59011-2	BT-54013-1	BT-59011-2	←
△ 9	POWER CORD	QMPL120-190-JR	QMPS120-190-JR	QMPL120-190-JR	QMPS120-190-JR	←
△ 10	AC ADAPTER	LY20688-001A	LY20688-009A	LY20688-001A	LY20688-009A	←
△ 11	BATTERY PACK	YQ10629E	←	LY31199-001A	YQ10629E	←
13	GUARANTY CARD	-	BT-59012-1	-	BT-59012-1	←
14	CORE FILTER	QQR0491-002,X3	←	QQR0491-002,X4	←	←
15	S CABLE,S-VIDEO CABLE	-	-	QAM0004-003	←	←
16	REMOTE CONTROL UNIT	-	LY20543-002A	LY42129-001A	LY20543-002A	←
17	AAA(R03)BATTERY,X2	Not used	Used	Used	Used	Used
18	ADAPTER PLUG	-	-	QAM0302-001	-	-
19	CONNECTOR,CABLE ADAPTER	PEMC1174	-	-	-	-
21	CASSETTE ADAPTER	-	YQ31963A-3 or YQ31963B-3	-	YQ31963A-3 or YQ31963B-3	←
22	AA(R6)BATTERY	Not used	Used	Not used	Used	Used
25	CABLE ASSY(EDITING)	-	PEAC0428-150	-	PEAC0428-150	←
31	SPACER(PACKING)	-	-	* -	LY43032-001A	-

Note: Mark - is not used. Mark ← is same as left. Mark \* reference model was also changed.

**FINAL ASSEMBLY <M2>**

REF. NO.	ITEM	MODEL				
		GR-FXM37EG	GR-FXM66ED	GR-SXM607EG	GR-SXM86ED	GR-SXM76ED
101	LOWER CASE ASSY	LY20684-005A	LY20684-006A	LY20684-008A	←	←
101F	SCREW	*QYSLSF2060D	QYSLSF2050Z	*QYSLSF2060D	QYSLSF2050Z	←
△ 104	FRONT COVER ASSY	LY20683-013A	LY20683-016A	LY20683-014A	LY20683-007B	←
104E	COVER (LIGHT)/DC LIGHT	LY30934-020A	LY30934-016A	LY32040-001A	←	←
104F	SPACER(A)	-	-	LY30029-0B4A	←	←
104H	CAUTION LABEL	-	-	YQ44341-6	←	←
104J	STICKER(A)	LY32058-001A	←	LY32058-002A	←	←
104K	STICKER(C)	LY32060-001A	LY32060-002A	←	←	←
106	UPPER CASE(M)	LY10257-005B	LY10257-006A	LY10257-001A	LY10257-009A	LY10257-007A
109	TOP OPE UNIT	LY20614-014B	LY20614-006B	LY20614-002B	←	←
111	REAR UNIT	LY20615-004A	LY20615-001A	←	←	←
114	STICKER(D)	LY32061-003A	LY32061-001A	←	←	←
121	SCREW,X3	*QYSLSF2060D	QYSLSF2050Z	*QYSLSF2060D	QYSLSF2050Z	←
130	FRAME ASSY	LY20678-002A	←	LY20678-001A	←	←
130E	CONTACT(LIGHT),X2	-	-	YQ43810-1-1	←	←
130F	E-SI C WIRE C-F	-	-	WJM0167-001A	←	←
136	SCREW/SPECIAL SCREW	*QYSLSF2060D	LY42981-001A	*QYSLSF2060D	LY42981-001A	←
138	SCREW	* -	QYSLSF2060D	←	←	←

**OPTICAL BLOCK SECTION**

REF. NO.	ITEM	MODEL		
		GR-FXM37EG	GR-SXM607EG	GR-FXM66ED/SXM86ED/76ED
254	OPTICAL LPF	LY41757-001A	LY41370-001A	LY41757-001A
255	CCD SPACER	LY20346-001A	LY20086-001A	LY20346-001A
257	CCD BASE ASSY	LYH40018-003A	LYH40018-004A	LYH40132-002A

**MECHANISM ASSEMBLY <M3>**

REF. NO.	ITEM	MODEL			
		GR-FXM37EG	GR-FXM66ED	GR-SXM607EG	GR-SXM86ED/76ED
400	MECHA(B)ASSY	YMA0030A-E	←	YMA0031A-E	←
406	CASS.GUIDE(R)ASSY	-	-	YQ44339A-7	←
406A	SW.LEVER(R)	-	-	YQ32162-1-3	←
406B	TORSION SPRING	-	-	YQ44340-1-4	←
407	SCREW	-	-	LY42819-001A	←
466	ROTARY ENCODER	QSW0888-001	←	QSW0888-002	←

Note: Mark - is not used. Mark ← is same as left. Mark \* reference model was also changed.

**MONITOR ASSEMBLY <M5>**

REF. NO.	ITEM	MODEL	GR-FXM37EG	GR-FXM66ED	GR-SXM607EG	GR-SXM86ED	GR-SXM76ED
△ 500	MONITOR ASSY		LYH20217-017A	LYH20217-009A	LYH20217-001A	LYH20217-008B	LYH20217-010A
△ 501	M.COVER ASSY		LY20679-005A	←	LY20679-001A	LY20679-002A	←
501B	WINDOW		LY32022-003A	←	LY32022-004A	LY32022-002A	←
502	M.CASE(2.5/3)ASSY		LY32036-001A	←	LY32035-001A	←	LY32036-001A
515	HOLDER(2.5/3PWB)		LY20672-001A	←	LY20647-001A	←	LY20672-001A
519	BACK LIGHT		QLL0093-001	←	QLL0094-001	←	QLL0093-001
520	LCD MODULE		QLD0154-001	QLD0176-001	QLD0118-001	←	QLD0176-001
522	STICKER(B)		LY32059-001A	←	LY32059-002A	←	←

**MAIN BOARD ASSEMBLY <01>**

REF. NO.	ITEM	MODEL	GR-FXM37EG	GR-FXM66ED	GR-SXM607EG	GR-SXM86ED	GR-SXM76ED
PW	MAIN BOARD ASSY		YB10310EH-01	YB10310EO-01	YB10310EB-01	YB10310EL-01	YB10310EP-01

**CCD BOARD ASSEMBLY <02>**

REF. NO.	ITEM	MODEL	GR-FXM37EG/SXM607EG	GR-FXM66ED/SXM86ED/76ED
PW	CCD BOARD ASSY		YB20899A-01	YB20899D-01
R5304	MG RESISTOR		NRSA02J-105X	-
C5303	CAPACITOR		NCB21HK-102X	NCB21HK-222X

**MONITOR BOARD ASSEMBLY <07>**

REF. NO.	ITEM	MODEL	GR-FXM37EG	GR-FXM66ED	GR-SXM607EG	GR-SXM86ED	GR-SXM76ED
PW	MONITOR BOARD ASSY		YB20900B-01	←	YB20900A-01	←	YB20900B-01
R7511,R7512	MG RESISTOR		-	-	NRSA63J-223X	←	-
R7513	MG RESISTOR		NRSA63J-103X	←	-	-	NRSA63J-103X
R7514	MG RESISTOR		-	-	NRSA63J-333X	←	-
R7515	MG RESISTOR		NRSA63J-302X	←	NRSA63J-562X	←	NRSA63J-302X
C7510	CAPACITOR		-	-	NCB31EK-103X	←	-

Note: Mark - is not used. Mark ← is same as left. Mark \* reference model was also changed.